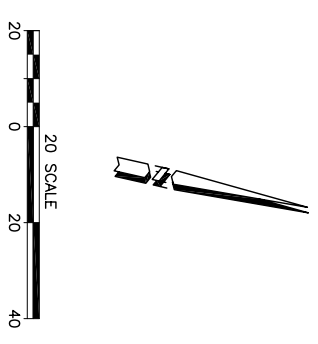
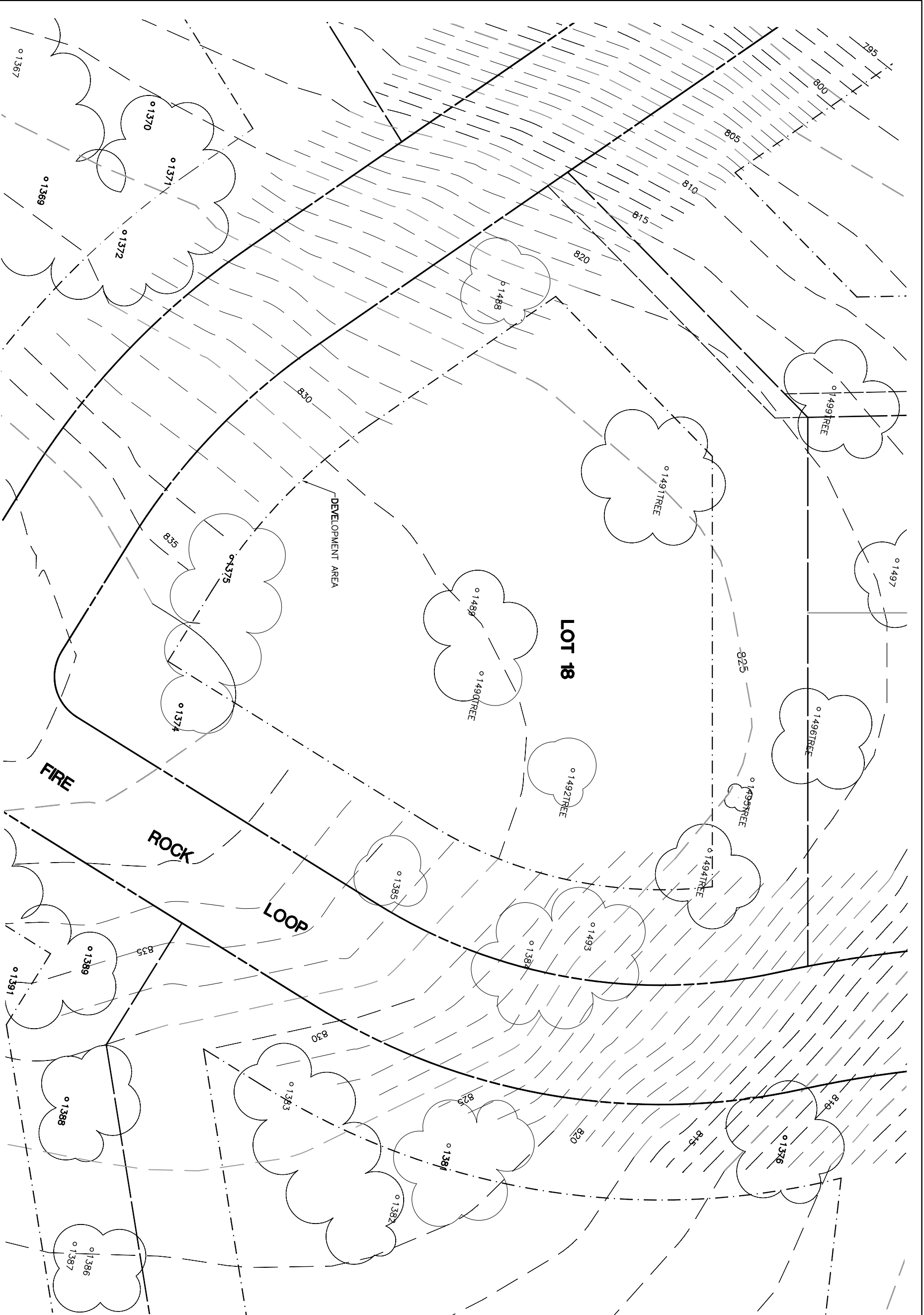


Lot 18				Must Save (visual mitigation)
Tree	Diameter	Type	Health	
1374	44	BLUE	32%	X
1375	30	BLUE	60%	X
1384	34	BLUE	64%	X
1385	26	BLUE	60%	X
1488	20	BLUE	30%	X
1489	26	BLUE	0%	
1490	24	BLUE	60%	X
1491	34	BLUE	80%	
1492	28	BLUE	30%	X
1493	24	BLUE	40%	X
1494	28	BLUE	28%	X
1495	18	BLUE	40%	X

NOTE: ● = ORIGINAL DATA
 ● = MODIFIED BY
 ALTHOUSE
 & MEADE, INC.



NOTE: TREE DATA BASED ON OAK TREE ASSESSMENT BY JACK BRAZEAU ON 10.24.00.

NOTE: ALL TREES OUTSIDE OF BUILDING ENVELOPE TO BE PROTECTED. TREES MAY BE REMOVED BY PERMIT IF NECESSARY FOR DRIVEWAY ACCESS BUT REMOVAL WILL BE MINIMIZED.

NOTE: ALL TREE LOCATIONS WITHIN BUILDING ENVELOPE TO BE VERIFIED PRIOR TO PERMITTING

REV.	BY	DATE	DESCRIPTION



INDIVIDUAL SITE PLANS
 SANTA YSABEL RANCH
 COAL 99-0229
 LOT 18

SHEET
 1
 OF 1